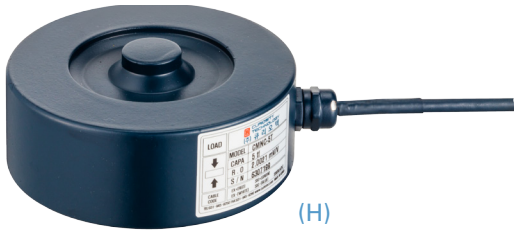


(L)



(H)

FEATURES

- Miniature dimension
- Compression application
- Application for limited space
- Protection class IP67

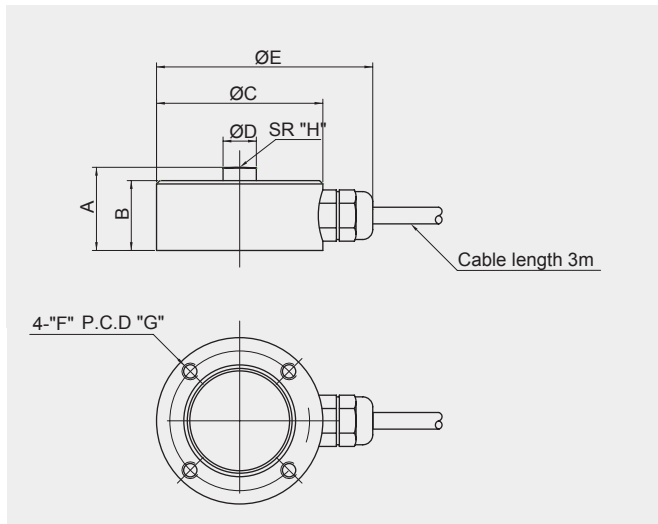
Material

- Stainless steel (50kgf - 2tf)
- Paint finished steel (5tf - 20tf)

Cable

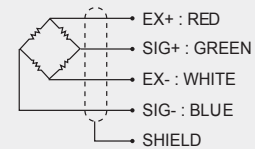
- Braided shield 4-wire round cable with PVC - jacket

DIMENSIONS



Model	Capacity	A	B	C	D	E	F	G	H
CMNC - 50L	50 kgf	25	21	50	10	65	M5x0.8 dp7	42	50
CMNC - 100L	100 kgf								
CMNC - 200L	200 kgf								
CMNC - 500L	500 kgf								
CMNC - 1T	1tf	40	35	98	20	113	M6x1.0 dp8	72	150
CMNC - 2T	2tf								
CMNC - 5T	5tf	45	40	98	20	113	M6x1.0 dp8	72	150
CMNC - 10T	10 tf								
CMNC - 20T	20 tf	50	45	118	20	132	M8x1.25 dp15	90	250

Unit : mm



SPECIFICATIONS

Max. Capacity	kgf, tf	50, 100, 200, 500 kgf, 1, 2, 5, 10, 20 tf	
Rated output	mV/V	2.0 ± 0.02	
Zero balance	mV/V	0.0 ± 0.1	
Combined error	%RO	0.15	
Repeatability	%RO	0.05	
Creep (30min.)	%RO	0.03	
Temperature effect on	Zero value	%RO/10°C	0.05
	Output value	%RO/10°C	0.10
Excitation	Recommended	V	10
	Maximum	V	15
Resistance	Input	Ω	420 ± 50
	Output	Ω	350 ± 3.5
	Insulation	MΩ	> 2,000 @50V DC
Compensated temp. range	°C	-10 ~ +40	
Operating temp. range	°C	-20 ~ +80	